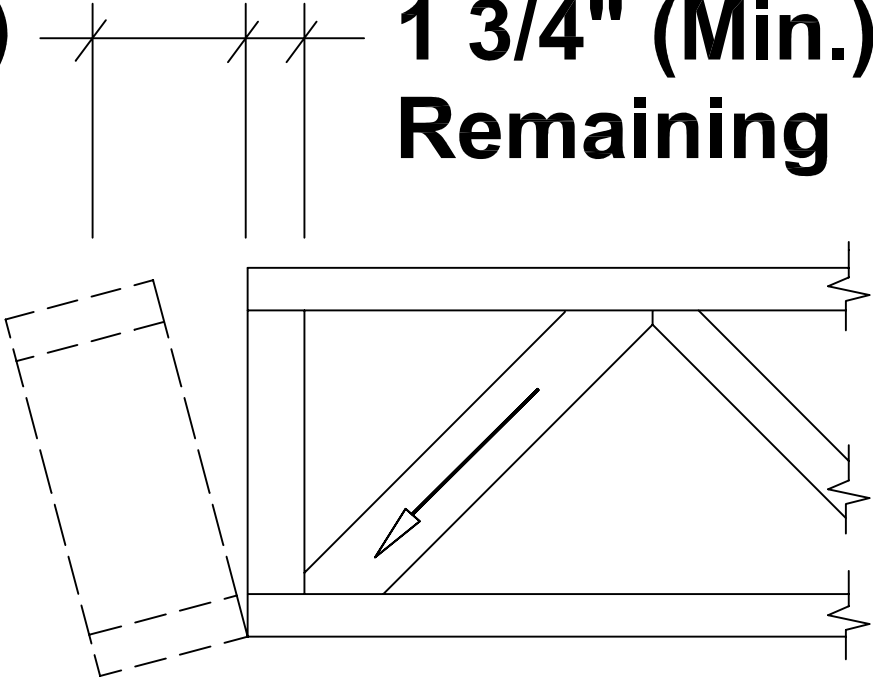
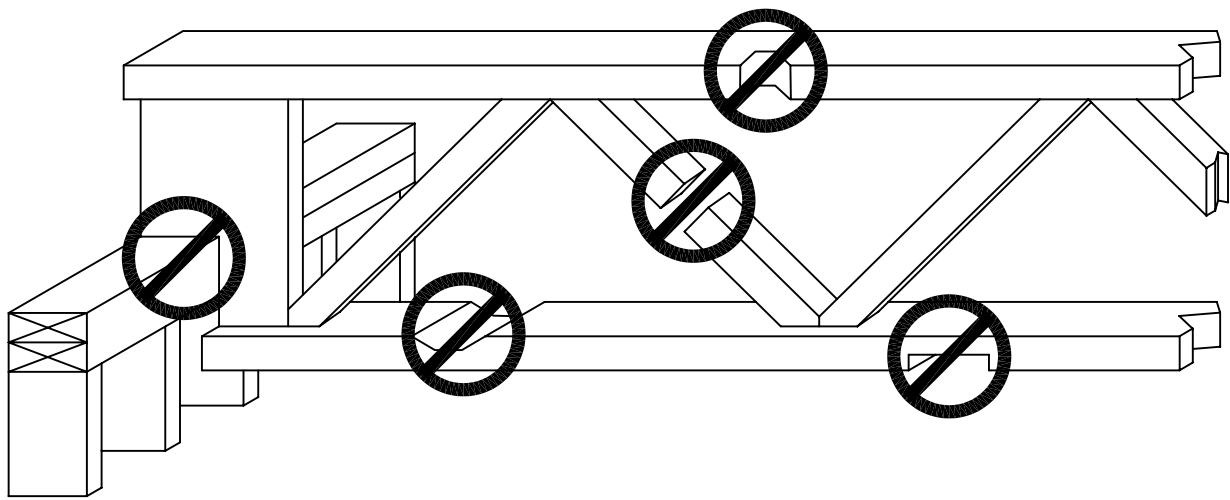


TRUSS END TRIM

5 1/2"
(Max.)
Trim

1 3/4" (Min.)
Remaining





THESE CONDITIONS ARE NOT PERMITTED

DETAIL No. 18