

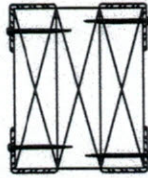
CROSSOVER DETAIL

(For Ductwork Crossover Between
Two Modular Boxes)

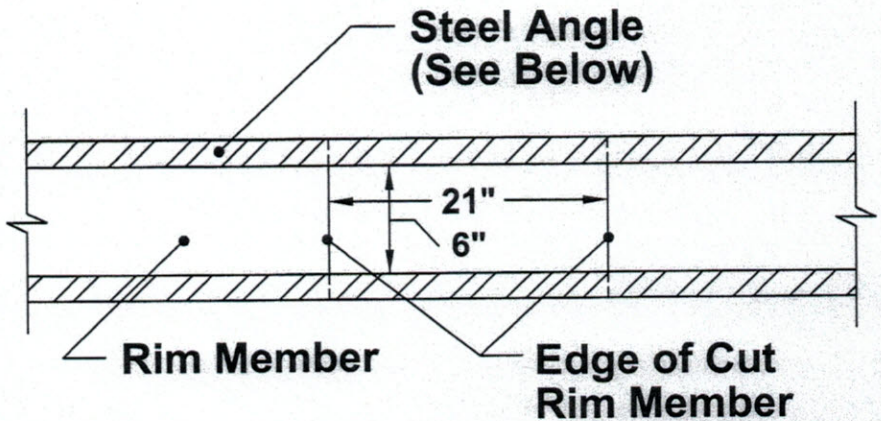


2 Ply

or



3 Ply



Steel Angle Reinforcement:

2 Ply - 84" Long 1 1/2" x 1 1/2" x .12" ASTM A446 Angle

3 Ply - 120" Long 1 1/2" x 1 1/2" x .12" ASTM A446 Angle

Fastening Specifications:

2 Ply - (15) 14g x 2" Wood Screws Spaced 2" o.c. Staggered

3 Ply - (25) 14g x 2" Wood Screws Spaced 2" o.c. Staggered

Note:

Columns and Concentrated Loads Shall Not Be Placed
In Duct Opening Area.