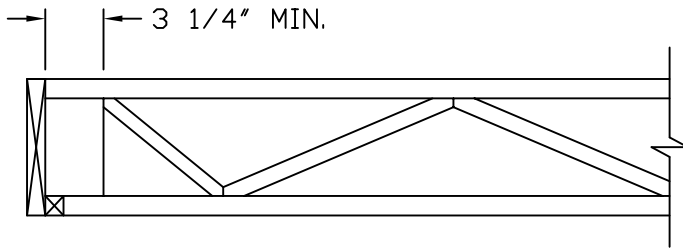
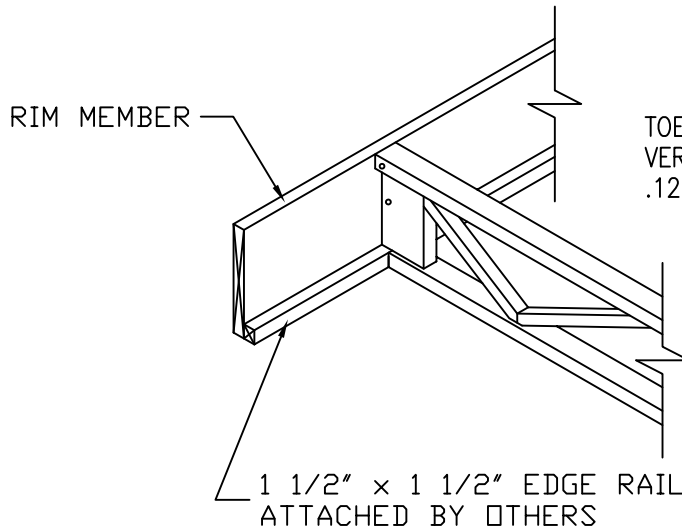


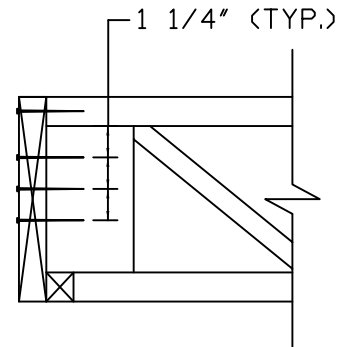
EDGE RAIL BEARING DETAIL



MAX. SPAN - 16 FT.
 MAX. FLOOR L.L. - 40 PSF
 MAX. FLOOR D.L - 15 PSF
 MAX. SPACING - 24" O.C.



TOE NAIL EACH SIDE OF TOP CHORD AND
 VERTICAL BLOCK TO RIM MEMBER WITH
 .128" DIA. x 3" BOX NAILS (MINIMUM)



ALTERNATE DETAIL

IN PLACE OF TOE NAILS WITH 1 1/2" RIM MEMBER
 END NAIL (1) .128" x 3" BOX NAIL (MIN.) INTO TOP
 CHORD AND (3) .128" x 3" (MIN.) BOX NAILS INTO
 END BLOCK 1 1/4" O.C. AS SHOWN

SUBJECT:
 EDGE RAIL DETAIL
 FOR OPEN JOIST
 DESIGN

DESIGN FOR:
 OPEN JOIST
 3778 ONEIDA VALLEY ROAD
 EMLENTON, PA 16373