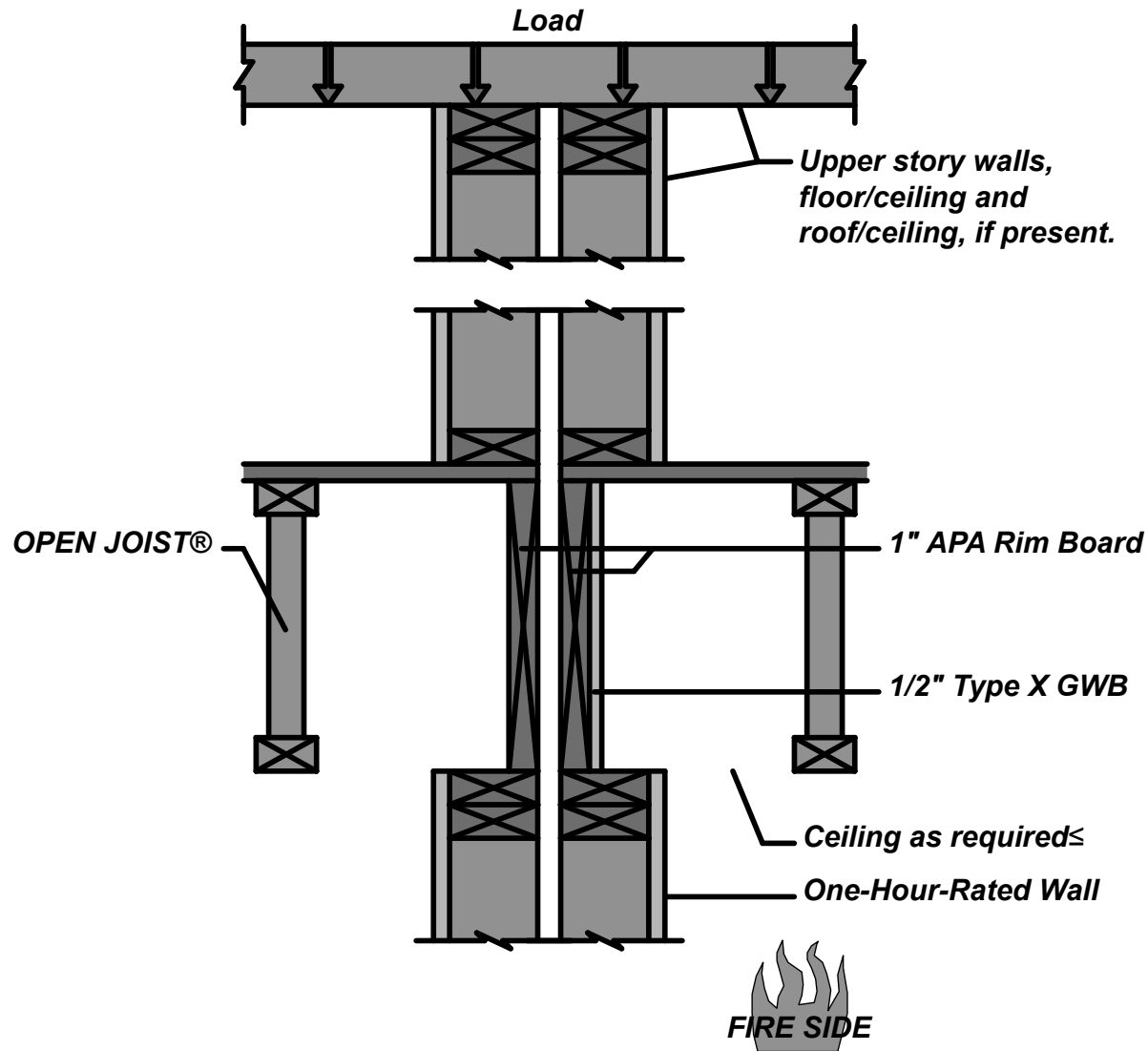


ONE-HOUR-RIM BOARD ASSEMBLIES - LOAD TRANSFER - EXAMPLE CONFIGURATION OF ASSEMBLIES 1-3 WITH OPEN JOIST® PARALLEL TO RIM BOARD



EX. FIRE ASSEMBLY NO. 1-3