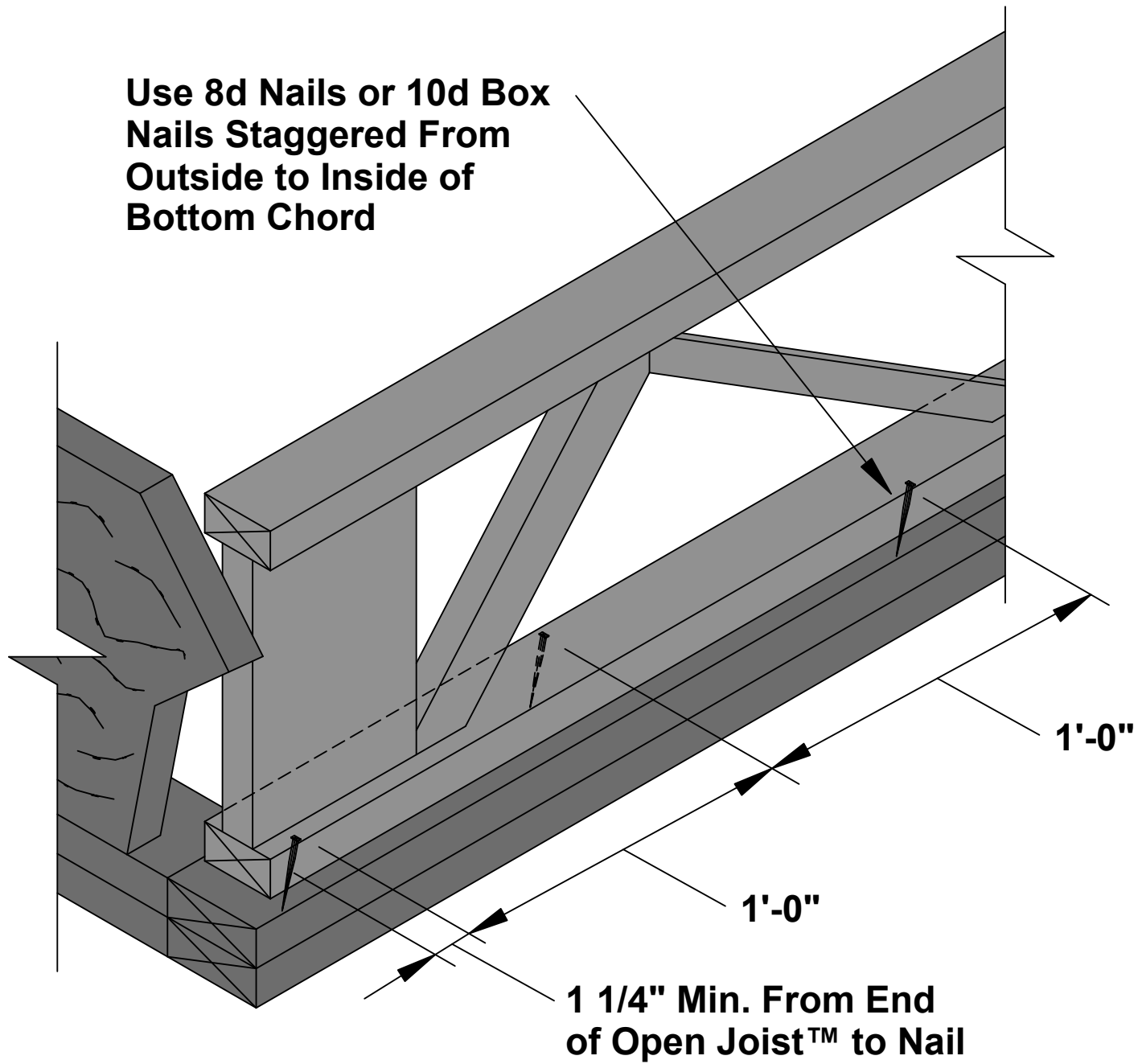


**Use 8d Nails or 10d Box
Nails Staggered From
Outside to Inside of
Bottom Chord**



NAILING DETAIL: JOIST TO PLATE