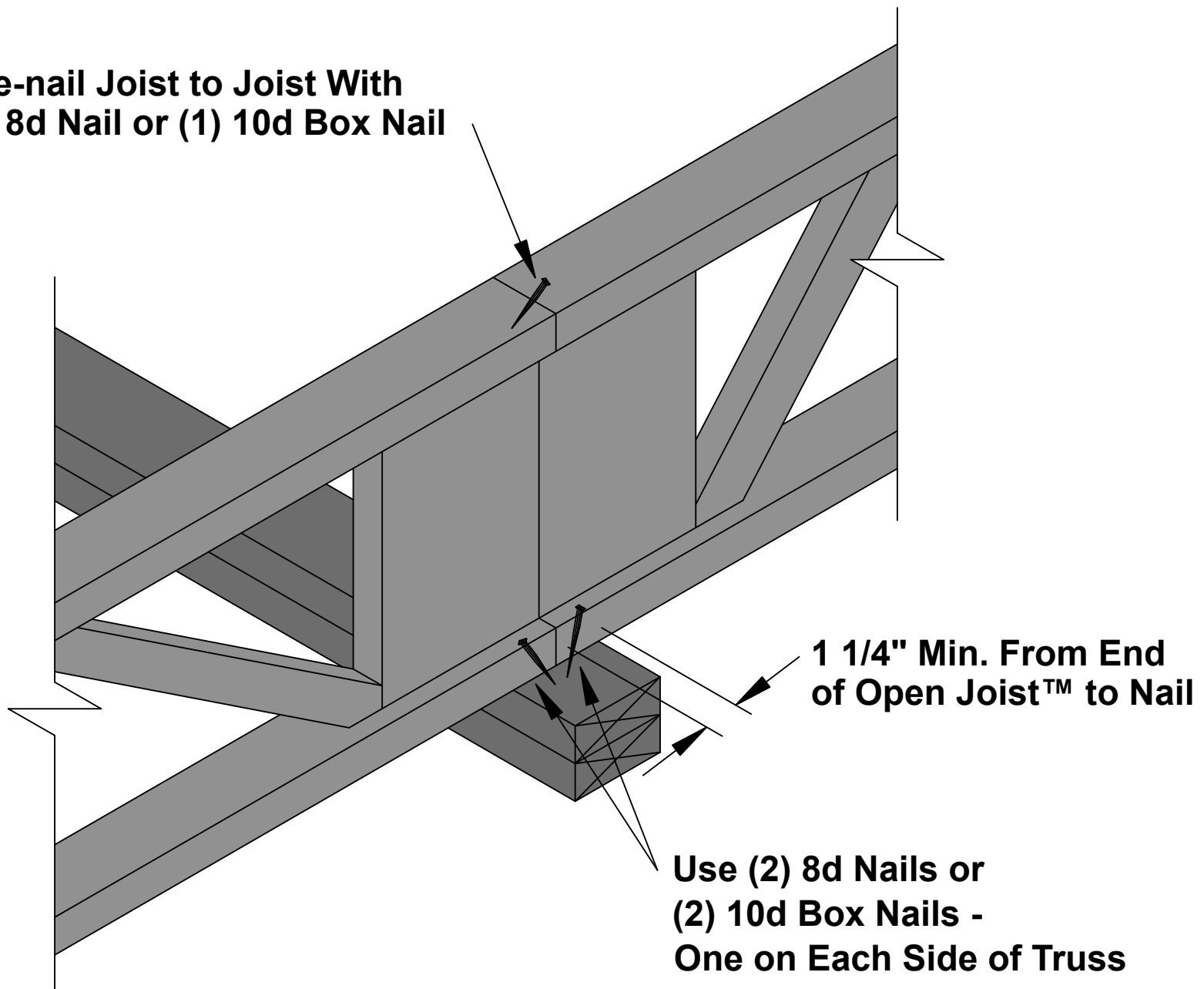


**Toe-nail Joist to Joist With
(1) 8d Nail or (1) 10d Box Nail**



NAILING DETAIL: JOIST TO JOIST