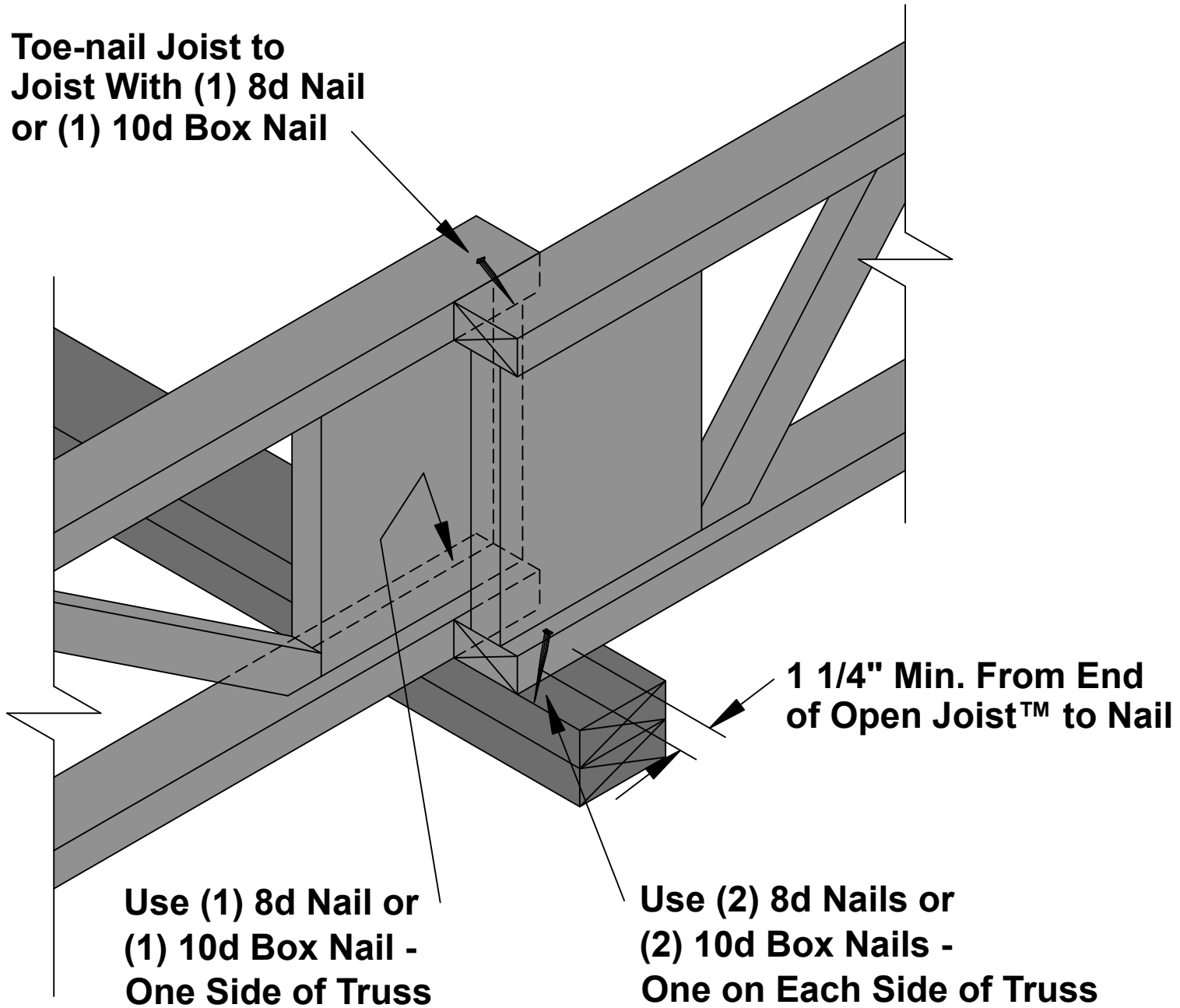


**Toe-nail Joist to  
Joist With (1) 8d Nail  
or (1) 10d Box Nail**



# **NAILING DETAIL: JOIST TO JOIST**