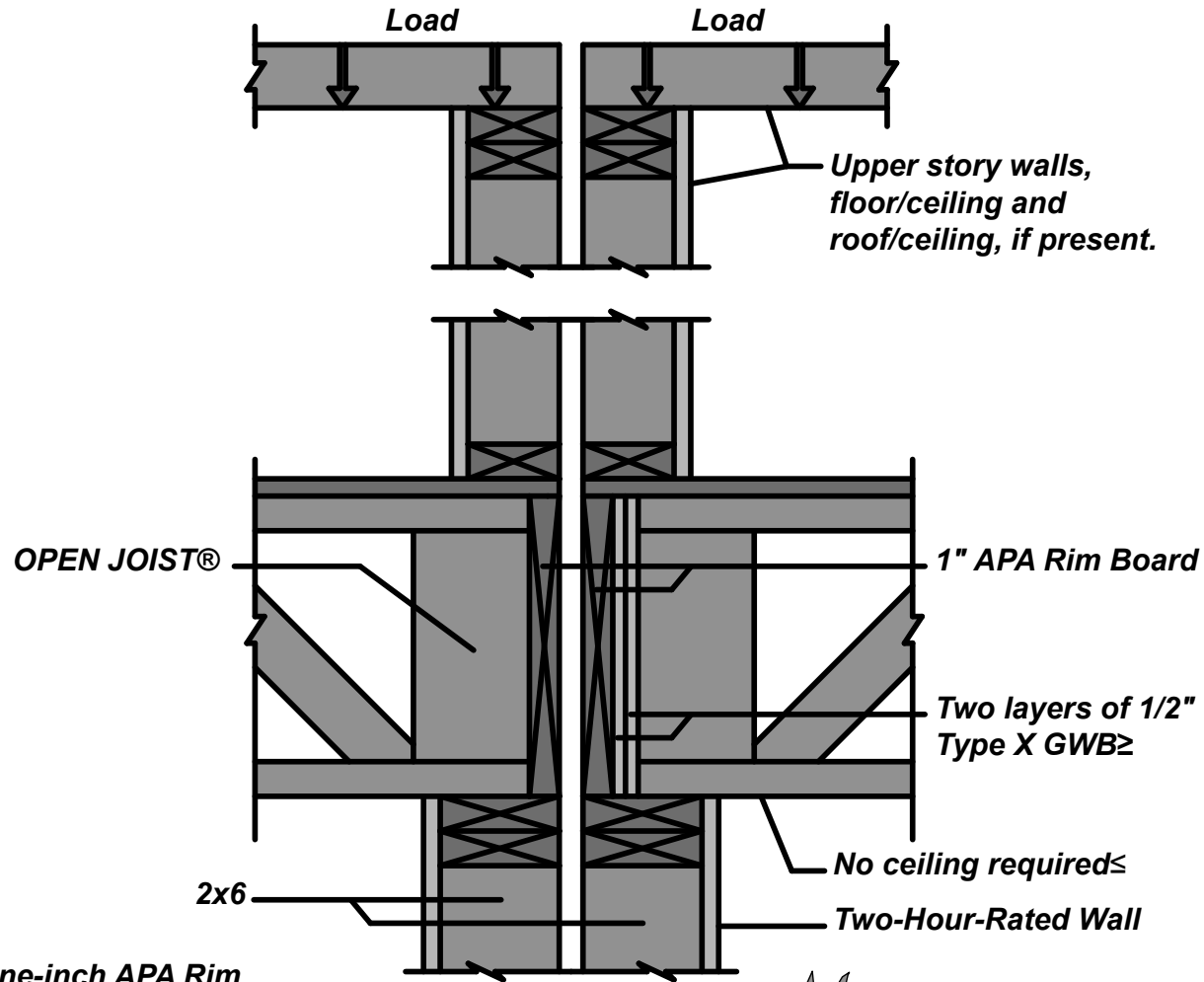


TWO-HOUR-RIM BOARD ASSEMBLIES - NO LOAD TRANSFER - ASSEMBLY NO. 10



Note: One-inch APA Rim Board may be used when 1/2-inch Type X GWB is added as a ceiling membrane.



FIRE ASSEMBLY NO. 10