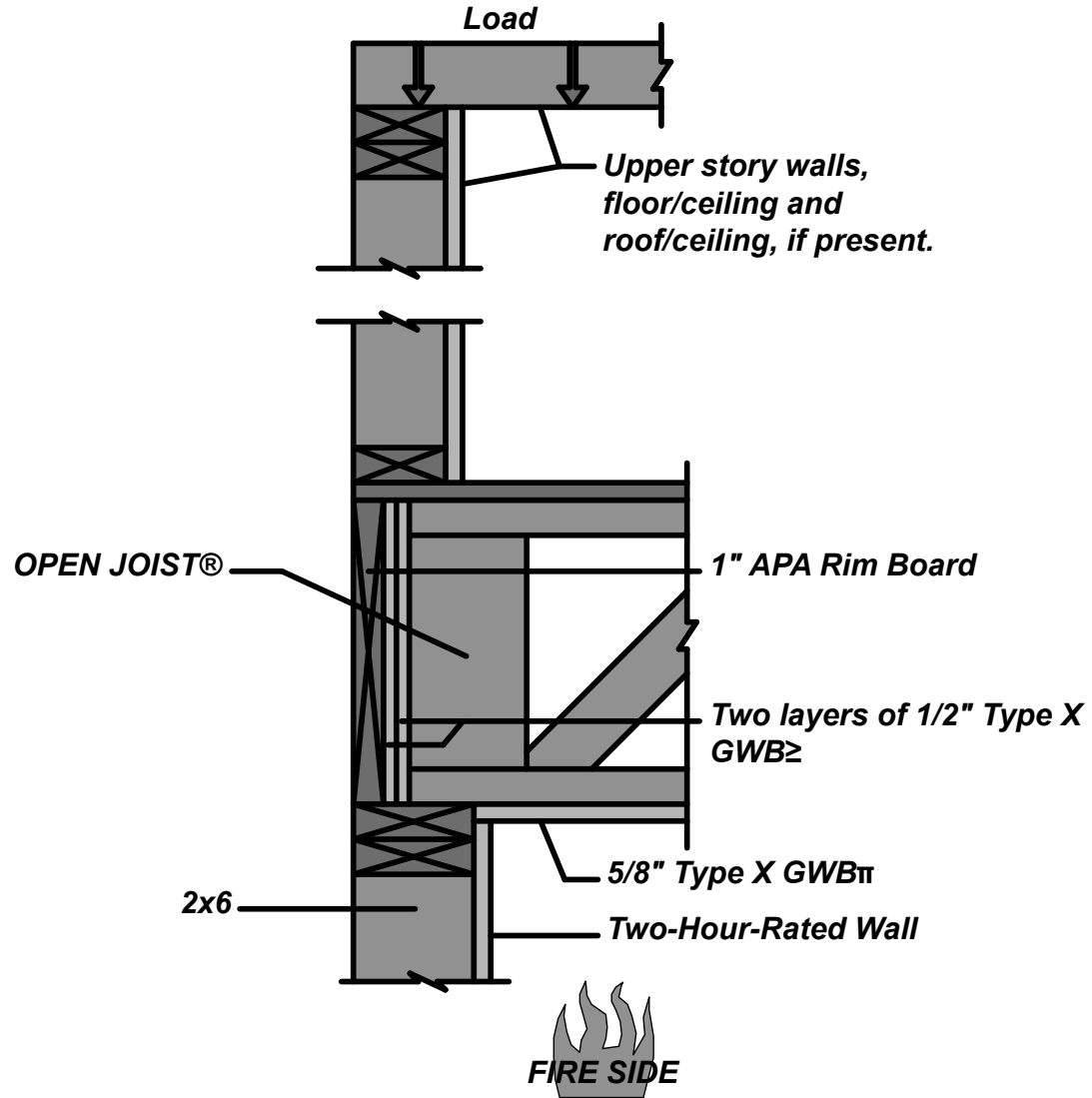


TWO-HOUR-RIM BOARD ASSEMBLIES - ASSEMBLY NO. 11



FIRE ASSEMBLY NO. 11