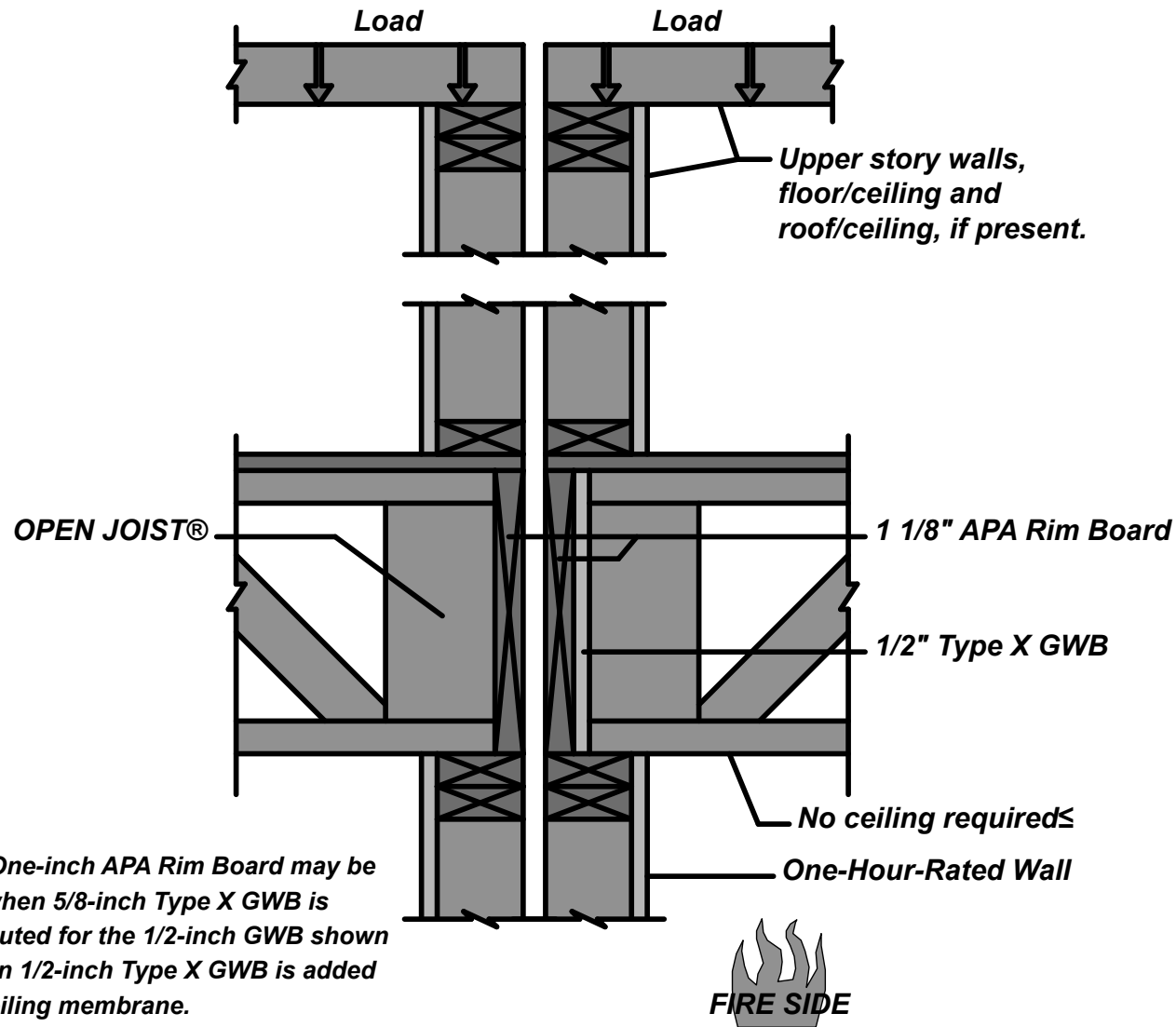


ONE-HOUR-RIM BOARD ASSEMBLIES - NO LOAD TRANSFER - ASSEMBLY NO. 6



Note: One-inch APA Rim Board may be used when 5/8-inch Type X GWB is substituted for the 1/2-inch GWB shown or when 1/2-inch Type X GWB is added as a ceiling membrane.

FIRE ASSEMBLY NO. 6