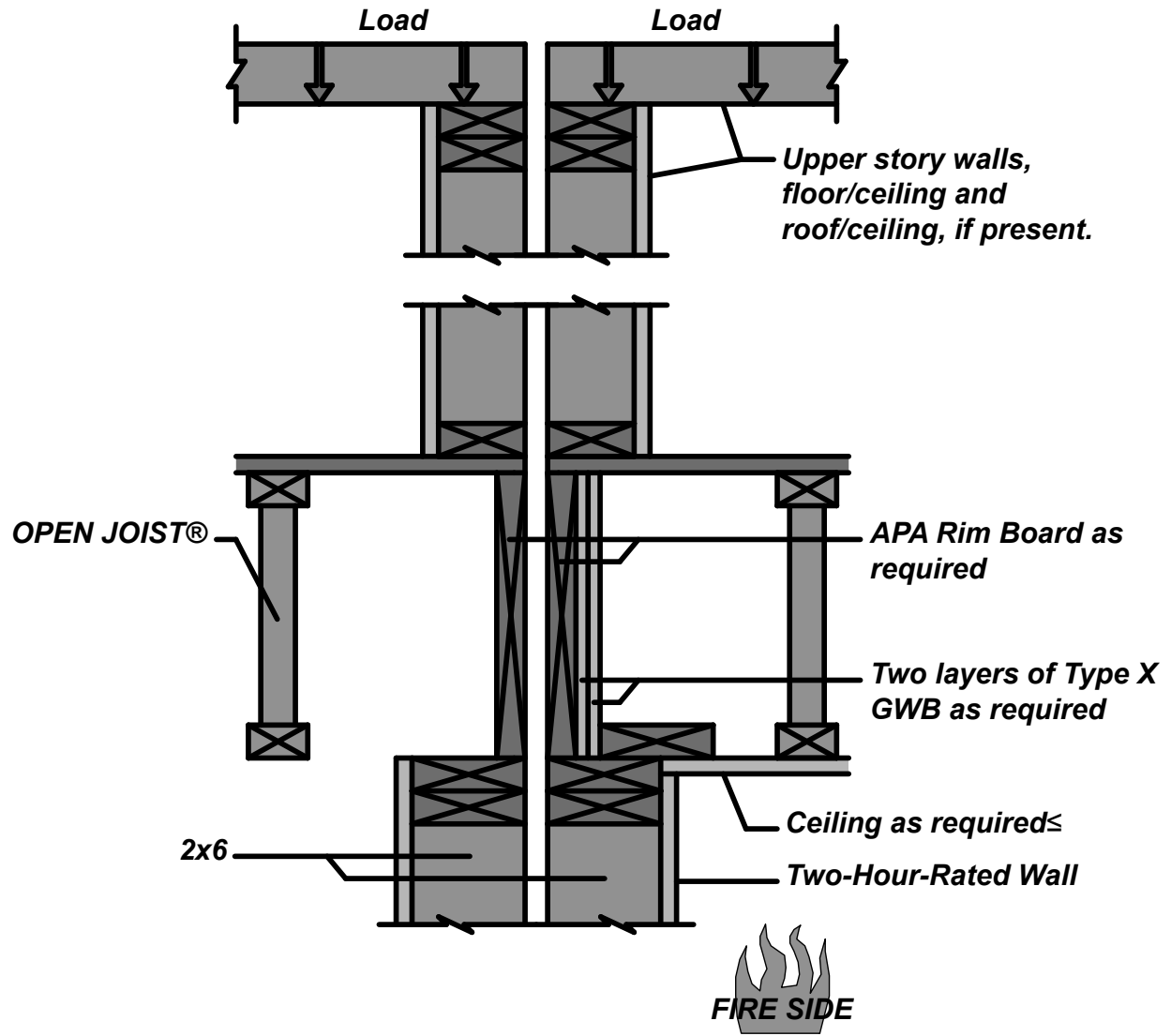


**TWO-HOUR-RIM BOARD ASSEMBLIES - EXAMPLE CONFIGURATION OF ASSEMBLIES 9-11  
WITH OPEN JOIST® PARALLEL TO RIM BOARD**



**EX. FIRE ASSEMBLY NO. 9-11**