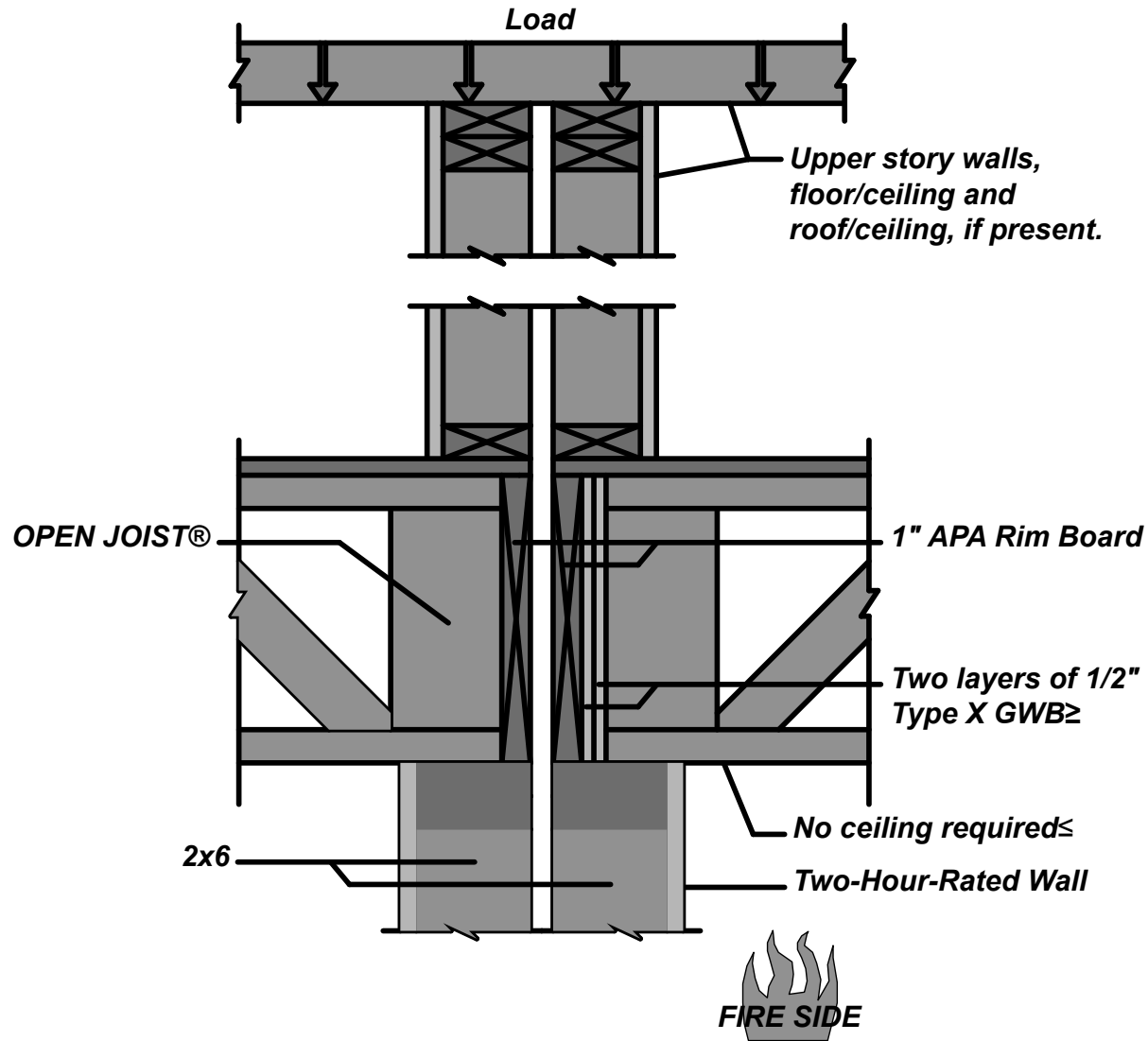


TWO-HOUR-RIM BOARD ASSEMBLIES - LOAD TRANSFER - ASSEMBLY NO. 9



FIRE ASSEMBLY NO. 9